

# ORWOOD

## ORWOOD

Tel. : +971 4 8800631

Fax : +971 4 8800632

Jabal Ali Industrial Area 1

Dubai - United Arab Emirates

E-mail : [info@orcompanies.com](mailto:info@orcompanies.com)

[www.orcompanies.com](http://www.orcompanies.com)



## ABOUT US

**ORWOOD** is a registered trade mark, that is focused on interior design products such as, Doors, Kitchens, Wardrobes, and other Fitouts.

### Means Quality and Trust

**ORWOOD** is the name that's mean quality and trust which we gained during 10 years of achievements; we have built a solid reputation among our clients of being credible and reliable.

Our headquarter and factory is located in Damascus, Syria. The heart of the Arab world, what makes it easier for us to supply our products to the neighboring countries like Iraq , Jordan and Lebanon, Besides servicing the Syrian markets , also it gives us an easy access to our main markets which are UAE and the Gulf Region.

We look at our clients as our partners in development and success.

Without present clients we were unable to upgrade our quality, increase our production lines and get access to many different countries and markets. And with our future clients, there will be no limits to our ambitions.



# ORWOOD



*True Trees ... True Wood ... Truly Doors*

**Think door...Think ORWOOD**

Door is the welcoming material of any project. Villas, residential buildings, office buildings, hotels, or any other buildings are being entered through a door.

**welcome to the world through our doors**

**ORWOOD** is focusing on wooden doors as the most attractive element among all other doors.

**ORWOOD** wooden doors collection is covering all doors' needs of the building, as follow:

- 1 - Fire rated wooden doors in all rates, 30 min, 60 min, 90 min, and 120 min. used in the safty sensitive areas.
- 2 - Economical doors for internal areas
- 3 - Solid wooden doors for fancy areas.

All the above doors can be fabricated based on client requirments like colors, sizes, quantities, and designs

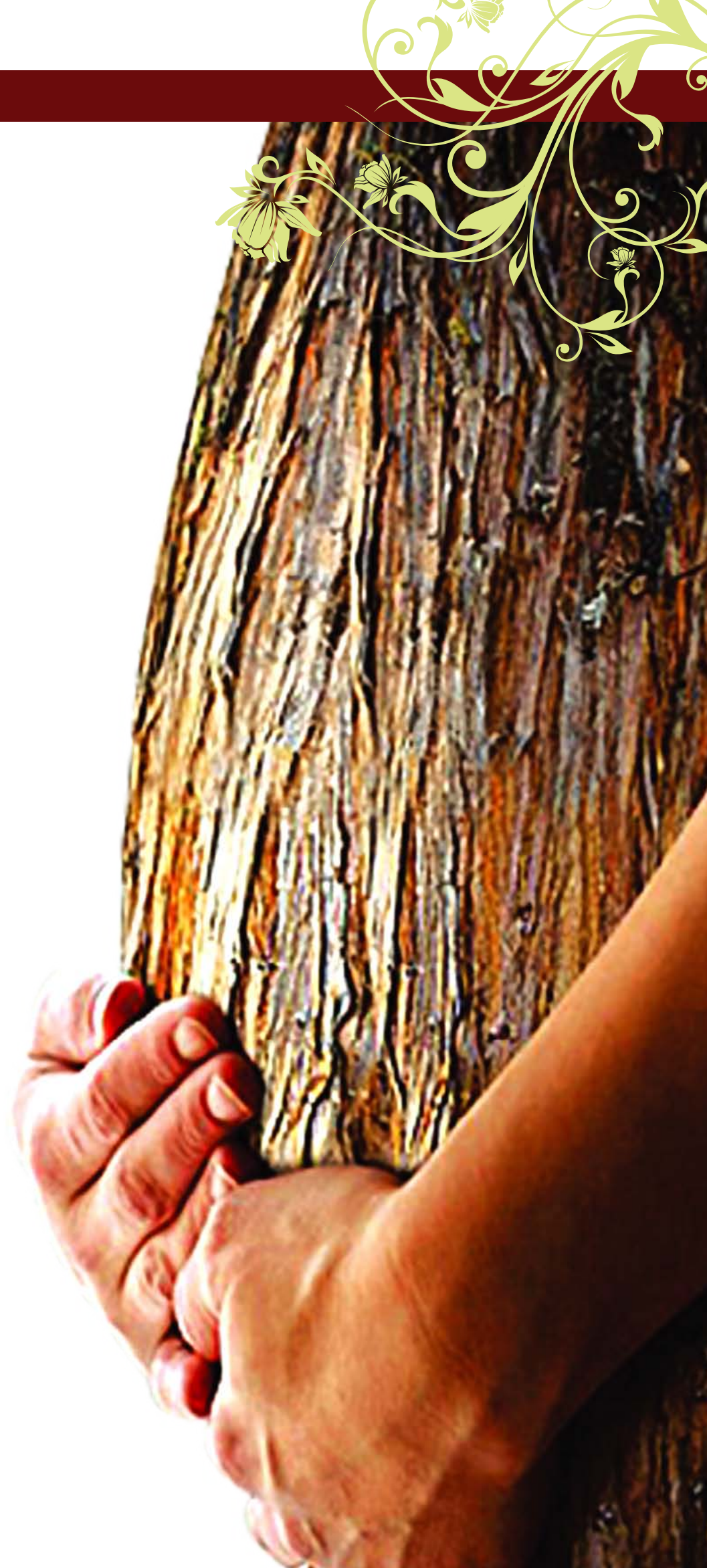


## Think Green



Recycling the waste of wood is the main target in **ORWOOD**.

**ORWOOD** developed many products using the waste of production, such as but not limited to door frames, door architrave, and door shutters. using this method we were able to provide market with engineered high quality products, with reasonable price, and sure luxury look.





## Fire Rated Wooden Doors

30 Minutes

60 Minutes

90 Minutes

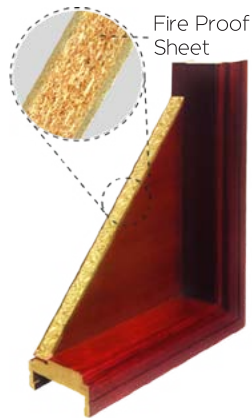
120 Minutes



ORWOOD has been Q MARK certified with BM TRADA in the industry of the fire rated wooden doors, these doors are produced with varying degrees ( 30 - 60 - 90 and 120 ) minutes.



## FD 30 Fire Rated Doors

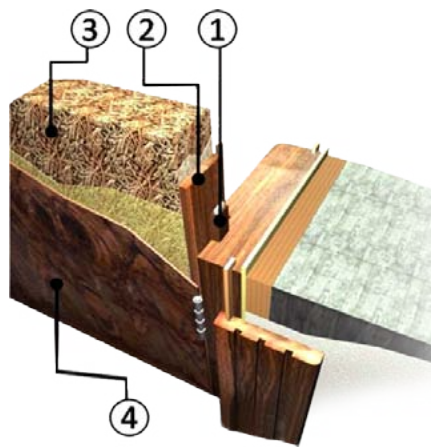


These doors are used as degrees in the spaces most vulnerable to the spread of fire just like kitchens, staircases and service rooms, in addition to many other public uses such as hotels, hospitals, office buildings.

These doors are used to prevent spreading fire, therefore its preserve lives and properties. It is preferable to use the FD 30 in most places generally Especially the internal and External Doors.

### The FD30 specifications :

- 1- Strips : fire rated strips for FD30 door, 10\*4 mm PVC encapsulated palusol 100 intumescent SHT.
- 2 - Lipping : 44 mm wide \* 10 mm thickness , Grade A solid wood, all around .
- 3 - Shutter core : 44 mm thick Halspan particleboard.
- 4 - Lamination : door face material finish can be of wood veneer, plastic laminate or painted finish, and we could add glass or Louvers .



## FD 60 Fire Rated Doors



These doors are used as degrees in the spaces most vulnerable to the spread of fire just like kitchens, staircases and service rooms, in addition to many other public uses such as hotels, hospitals, office buildings.

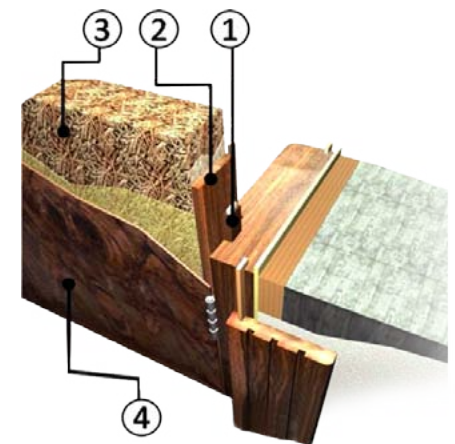
These doors are used to prevent spreading fire, therefore its preserve lives and properties. it is preferable to use the FD 60 in kitchens and bathrooms in addition to use it in schools halls and universities according to the British standards safety which is required in the educational buildings.

### The FD60 specifications :

( 60 minutes fire rated door ) :

Panel thickness 55mm.

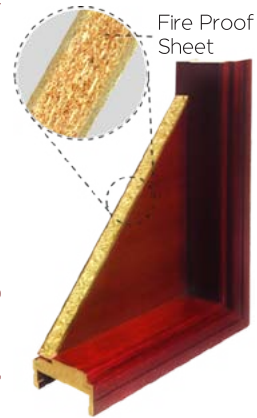
- 1- Strips : fire rated strips for FD60 door, 2- ( 15\*4 ) mm PVC encapsulated palusol 100 intumescent sheet.
- 2 - Lipping : 54mm wide x 10mm thicknesses , Grade A hard wood, all around.
- 3 - Shutter Core : 54mm thick Halspan particleboard .
- 4 - Lamination: Door face material finish can be of wood veneer, plastic laminate or painted finish.and we could add glass or louvers .





## FD 90 Fire Rated Doors

The fire rated doors are considered from the most important safety facilities in modern systems construction according to the international safety standard, that's related to its enormous contribution in preserving lives and properties in the first-class, particularly in buildings with high density residential like towers, public and private institutions, hotels, hospitals and the educational buildings, Where the fire rated doors 90 reducing the spread of the fire limits in one place. Its preferable to use these doors in corridors (data, server, archive) rooms.

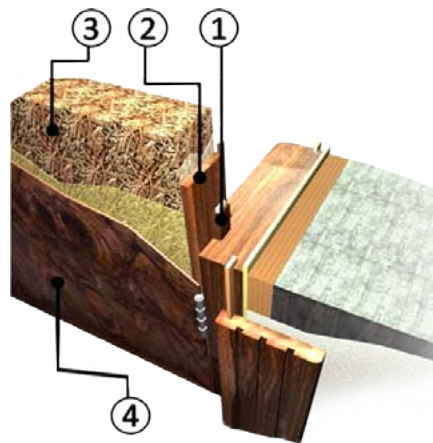


### The FD90 specifications :

( 90 minutes fire rated door ) :

Panel thickness 65mm.

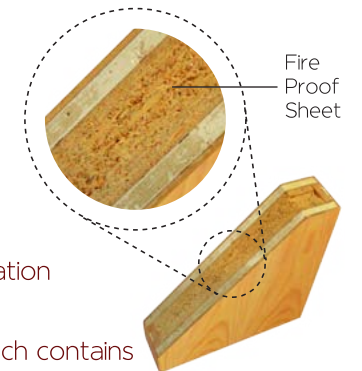
- 1- Strips: fire rated strips for FD90 door, (25\*6)mm, (15\*6)mm (2\*50)mm PVC encapsulated palusol 100 intumescent sheet.
- 2 - Lipping : 64mm wide x 3mm thicknesses Grade A hard wood.
- 3 - Shutter Core: 64mm thick particleboard Halspan blank.
- 4 - Lamination : Door face material finish can be of veneer wood ,plastic laminate or painted finish, and we could add glass with special specifications.



## FD 120 Fire Rated Doors

The fire rated doors are considered from the advanced safety systems in modern construction, it delays spreading fire from an area to another, in addition to being a barrier which prevents leakage of smoke from the fire area which leads to many cases of suffocation so it helps to secure the evacuation of lives and properties during fire.

It is preferable to use the FD 120 in rooms which contains important information (server ,data rooms) and banks.

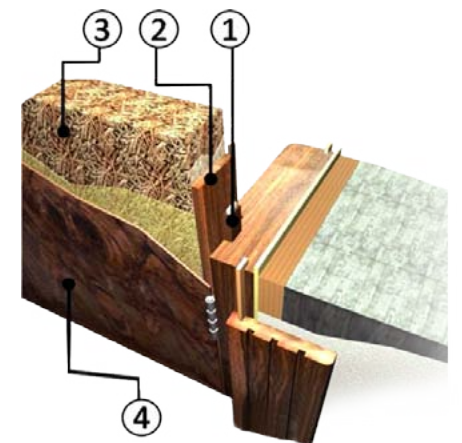


### The FD120 specifications :

( 120 minutes fire rated door ) :

Panel thickness 65mm.

- 1- Strips : fire rated strips for FD120 door,( 20\*4) mm(15\*2)mm, (2\*38)mm PVC encapsulated palusol 100 intumescent sheet.
- 2 - Lipping : 64mm wide x3mm thicknesses ,Grade A hard wood.
- 3 - Sub-Lipping : 32mm wide x 10mm thicknesses, Grade A hard wood.
- 4 - Shutter Core: 64mm thick Combination Of (38MM. Halspan Core, 9mm. Thick CRC Mid Face & 3.2 mm. Thick MDF Surface All Are Required For120Minutes) and we could add glass in a very certain places .



## Economical Frame Sets

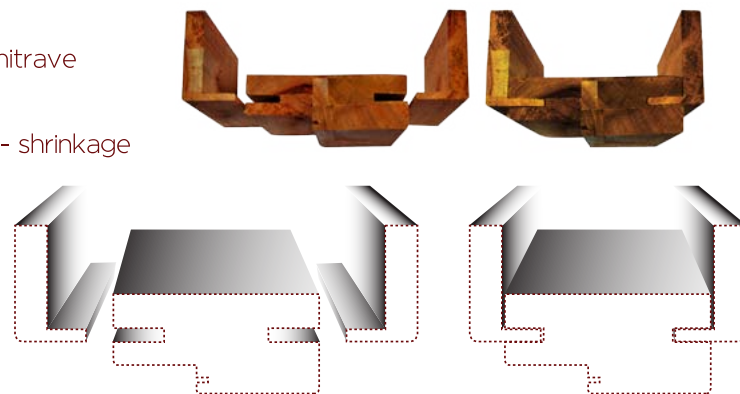
### 1- Engineered Frame Sets :

This type of frame is the new innovation of ORWOOD. by using the waste of our production to produce an engineered high quality finger joined frame set, we became the first provider of the recycled solid frames in the region. ORWOOD engineered frame set are produced from solid high density hardwood, and high standard joining glue. also it can be laminated, painted, or lacquered.



#### Advantages:

- 1- adjustable architrave
- 2- non-bendable
- 3- anti expansion - shrinkage
- 4- Low price
- 5- high density
- 6- durable
- 7- sustainable

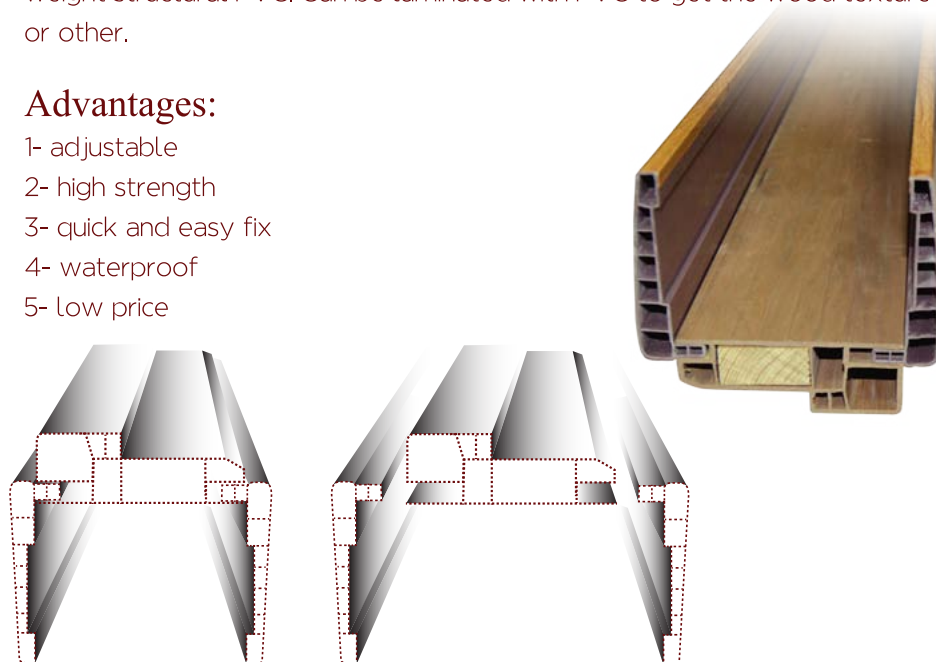


### 2- Adjustable PVC Frame Set

Another innovation of economical frame set by ORWOOD, using light weight structural PVC. Can be laminated with PVC to get the wood texture or other.

#### Advantages:

- 1- adjustable
- 2- high strength
- 3- quick and easy fix
- 4- waterproof
- 5- low price

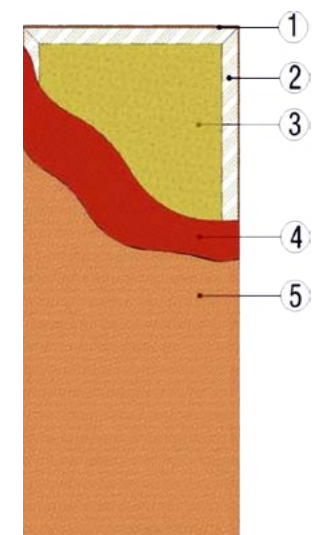
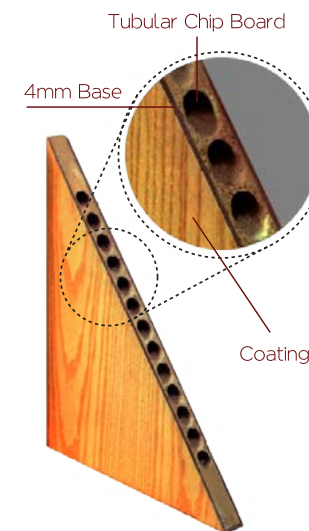


## Economical Core Shutter

### 1- Tubular Core Shutter

#### Panel thicknesses 42, 45, 48 mm :

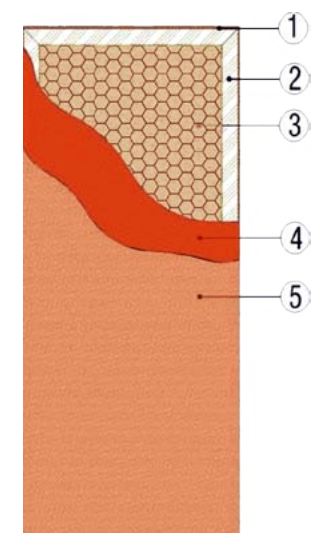
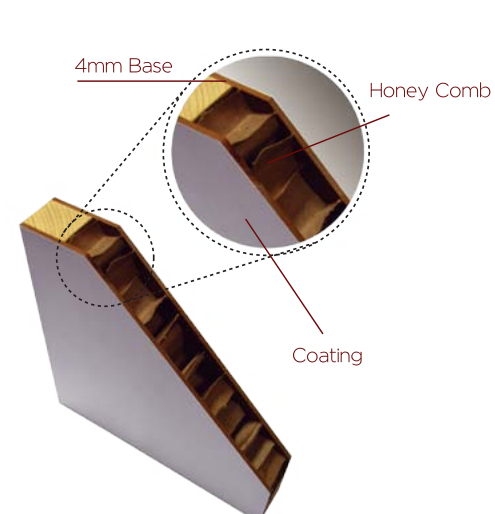
- 1- lipping: 10mm thickness solid wood all around.
- 2- inner frame: 70mm wide soft wood frame.
- 3- tubular chip board
- 4- 4mm plywood sheet
- 5- final lamination (veneer, HPL, PVC, or painted)



### 2- Honey Comb Core Shutter

#### Panel Thickness 40mm :

- 1- lipping: 1 mm thickness PVC.
- 2- inner frame: 50 mm wide soft wood frame.
- 3- honey comb cardboard core.
- 4- 4mm plywood sheet
- 5- final lamination (veneer, HPL, PVC, or painted)



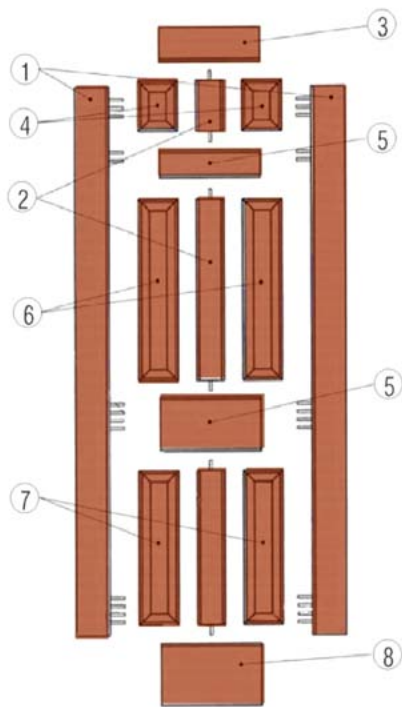
## Solid Wooden Doors

### Solid Doors :

This type of Doors usually preferred to be used in the external Doors. Because of its durability, hardness and ability to use all kinds of where the whole door is made of hard wood.

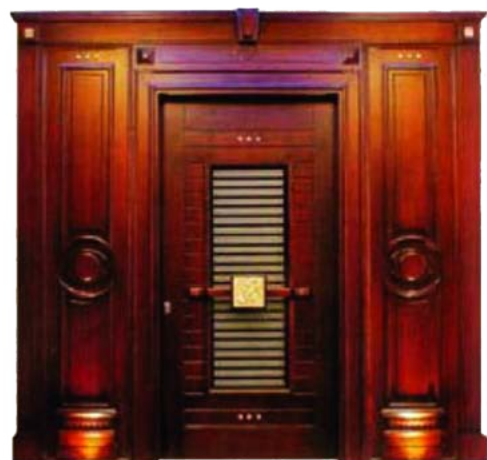
In addition to the possibility of choosing any desired design according to the clients' test.

These doors could be manufactured as a single leaf or doubled



### Solid Door :

1. Stile.
2. Mid Stile.
3. Top Rail.
4. Top Panel.
5. Mid Rail.
6. Mid Panel.
7. Bottom Panel.
8. Bottom Rail.



OSD 101



OSD 102

## Solid Doors Design



OSD 103



OSD 105



OSD 106



OSD 107



OSD 108



OSD 109



OSD 110



OSD 111



OSD 112



OSD 113



OSD 114



OSD 115



OSD 116



OSD 117



OSD 118



OSD 120

## Veneer Designs



ORDS 01



ORDS 02



ORDS 03



ORDS 04



ORDS 05



ORDS 06



ORDS 07



ORDS 08



ORDS 09

## New Veneer Door Design



OD 002



OD 003



OD 004



OD 006



OD 007



OD 008



OD 009



OD 012



OD 014



OD 016



OD 020



OD 023

## Veneer Designs



OVD 122



OVD 123



OVD 124



OVD 125



OVD 126



OVD 132



OVD 133



OVD 134



OVD 135



OVD 136



OVD 142



OVD 143



OVD 144



OVD 145



OVD 146



OVD 152



OVD 153



OVD 154



OVD 155



OVD 156

## Veneer Designs



OVD 127



OVD 128



OVD 129



OVD 130



OVD 131



OVD 137



OVD 138



OVD 139



OVD 140



OVD 141



OVD 147



OVD 148



OVD 149



OVD 150



OVD 151



OVD 157



OVD 158



OVD 159



OVD 160



OVD 161

# ORWOOD

## Natural Wood



Ash



Pine



Mahogany



Oak



Beech



Walnut



Birch



Bubinga



Cherry



Lime



Padauk



Red Meranti



Teak



Wenge



Zebrano

## PVC



American Oak



Antique Amper



Antique Ginger



Antique Mapele



Euro Wenge



Golden Oak



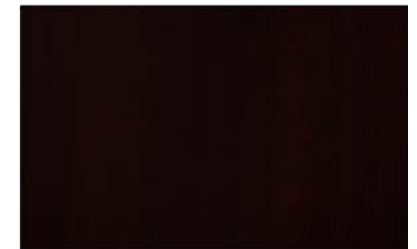
Italian Walnut



Macoree



Off White



Port Mapele



Wenge



Sapeli

# ORWOOD

## Architectural Hardware



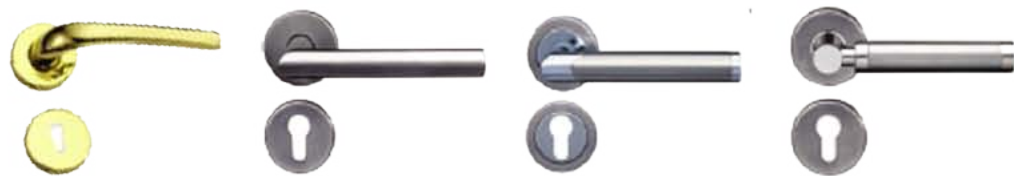
ORH001 ORH002 ORH003 ORH004 ORH005



ORH006 ORH007 ORH008 ORH009



ORH018 ORH011 ORH013 ORH014



ORH048 ORH015 ORH016 ORH017



ORH045 ORH046 ORH047 ORH020 ORH022



ORH025 ORH026 ORH027 ORH028 ORH029 ORH030

## Architectural Hardware



ORH038 ORH039 ORH019 ORH035



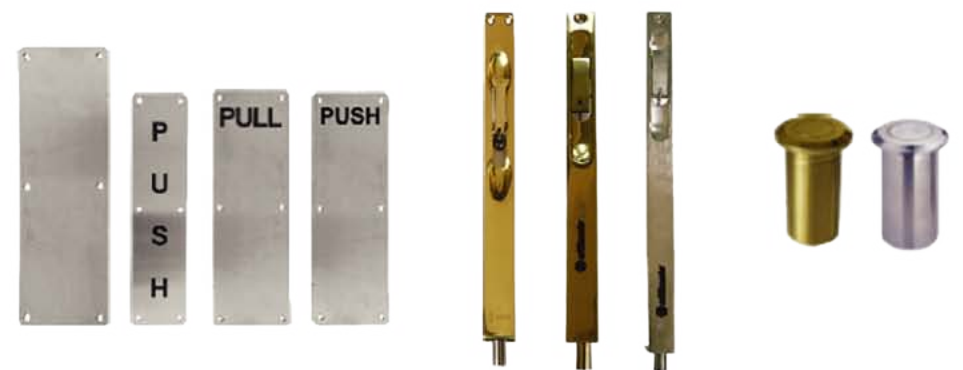
ORH031 ORH032 ORH033 ORH034



ORH043 ORH040 ORH041



ORH023 ORH024



ORH042 ORH036 ORH037



Intumescent Seal  
ORH044

# ORWOOD

## Colors



ORWD-P-00



ORWD-P-01



ORWD-P-02



ORWD-P-03



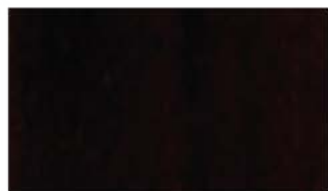
ORWD-P-04



ORWD-P-05



ORWD-P-06



ORWD-P-07



ORWD-P-08



ORWD-P-09



ORWD-P-10



ORWD-P-11



ORWD-P-12



ORWD-P-13



ORWD-P-14



ORWD-P-15



ORWD-P-20



ORWD-P-21

